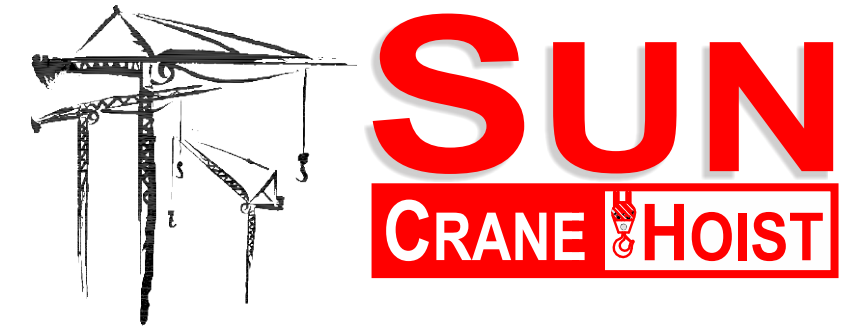


LC400-18t - 39,680 lbs



Turnkey Solutions * Parts and Service * Training and Safety * Transportation



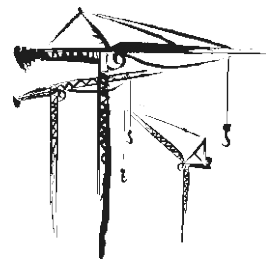
LC400-18t - 39,680 lbs

Topless Tower Crane



2214 Hwy 1187 - BLDG 1
Mansfield, TX. 76063
Office : 817.225.1090 * Fax : 817.225.1035
Website : www.suncraneandhoist.com

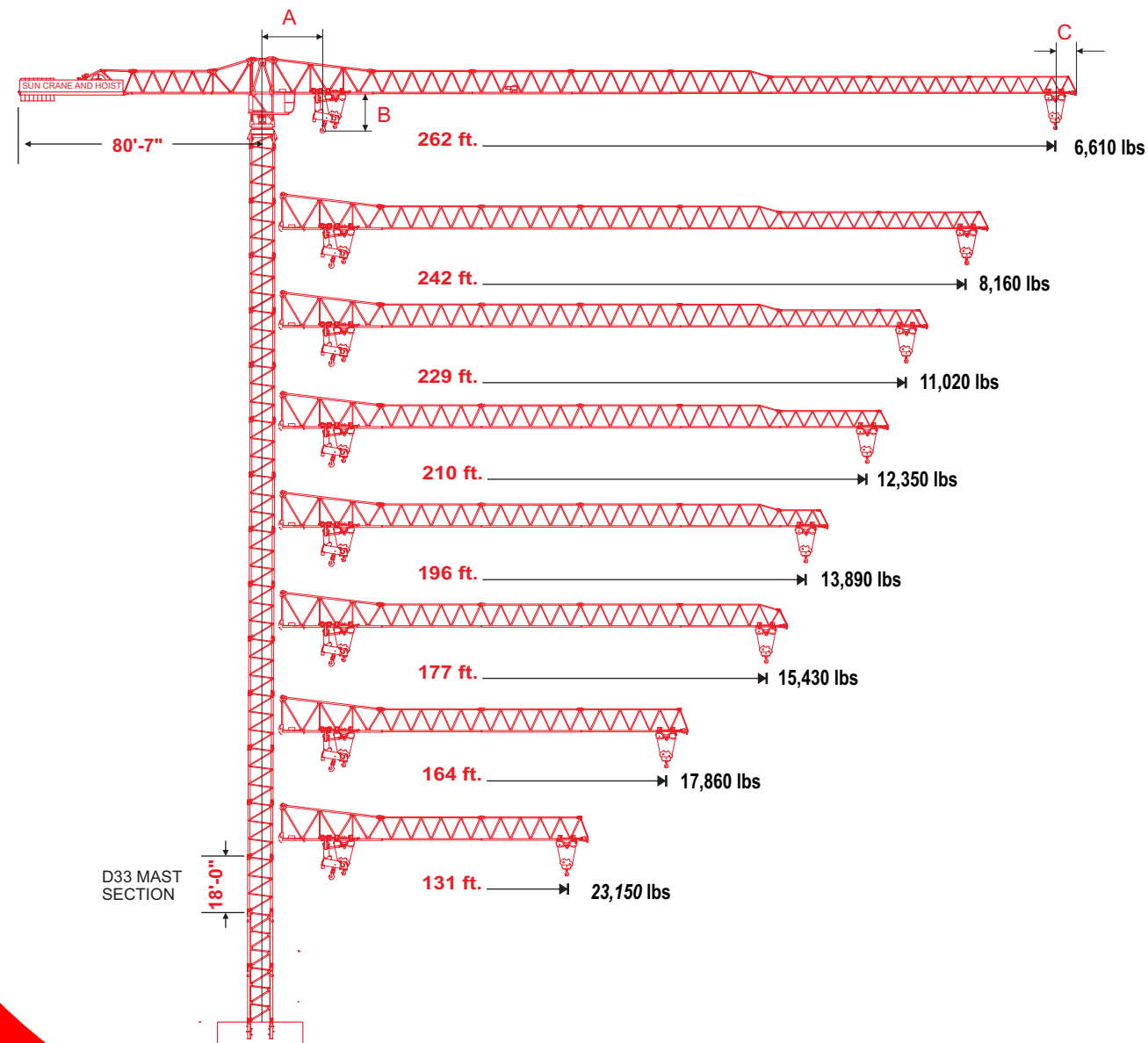




SUN CRANE & HOIST

COMANSA LC400

TOWER CRANE MODULAR SYSTEM



A=Centerline crane to minimum 2 part hook radius 8'-6"

B=Bottom of jib to hook block 6'-7"

C=Add for jib tip radius 2'-11"

COMANSA LC400

LINE SPEEDS AND POWER REQUIREMENTS

Hoist Unit

87 hp (65kW)

2 - Part Line	Line Speed	Capacity
	125 ft/min 38.1 m/min	19,840 lbs 9t
19,850 lbs 9t	328 ft/min 99.9 m/min	6,610 lbs 3.6t
	735 ft/min 224 m/min	1,540 lbs 0.6t

2 - Part Line	Line Speed	Capacity
	62 ft/min 18.8 m/min	38,680 lbs 9t
39,690 lbs 18t	164 ft/min 49.9 m/min	13,230 lbs 6.1t
	367 ft/min 111.8 m/min	2,870 lbs 1.8t

Unit	Horsepower	Kilowatts	Speed
Trolley	10	7.5	0 - 308 ft/min 0 - 93.8 m/min
Swing	4x 10 hp	4x 7.5	0 - .07 rpm
* Traveling	6 x 4.6	6 x 3.4	52.5 - 105 ft/min 16 - 32 m/min

Power Requirements

480 volts, 3 phase, 60 Hz, 300 amp service

Additional Equipment and Services Available

Peiner Tower Cranes
Sun Tower Cranes
Hercules Elevators
Timberland Derricks
Specialized Rigging
Technical Services
Third Party Inspections
Parts and Repair Services
Erection and Dismantlement Services

*Due to product improvement specifications are subject to change without notice.

* Option not available

EQUIPMENT RENTALS - SALES - 24 HOUR SERVICE - YARD STORAGE & TRANSFERS - NATIONWIDE SERVICE

2214 FM 1187, Suite 1

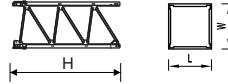
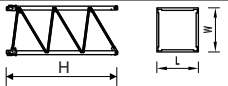
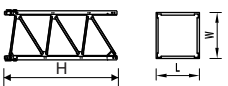
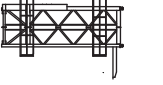

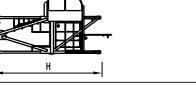
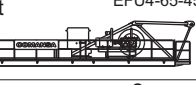
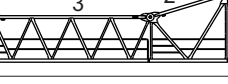
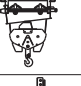
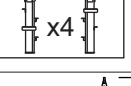
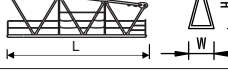

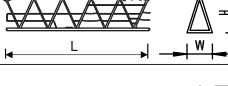

Mansfield, TX 76063

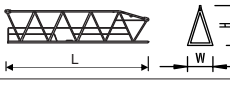
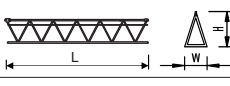
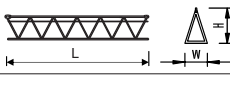
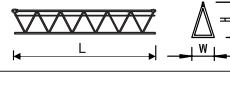
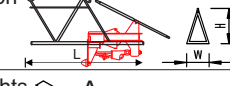
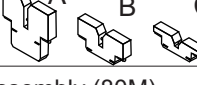
O 817.225.1090

F 817.225.1095

WWW.SUNCRANEANDHOIST.COM

Crane Component List

DESCRIPTION	DIMENSION L x W x H	WEIGHT
Mast Section D33 	8'7" x 8'7" x 19'2" 2.6m x 2.6m x 5.8m	9,570 lbs 4,340 kg
Mast Section S35 	8'7" x 8'7" x 18'10" 2.6m x 2.6m x 5.7m	8,160 lbs 3,701 kg
Mast Section TD33A 	8'7" x 8'7" x 18'10" 2.6m x 2.6m x 5.7m	8,160 lbs 3,701 kg
Telescoping Cage J4.1 w/platform 	9'11" x 10'9" x 30'8" 6.2m x 4.4m x 5.7m	28,660 lbs 3,160 kg
Turntable Complete SM218/S35 	10'0" x 10'0" x 10'3" 3.0m x 3.0m x 3.1m	19,620 lbs 8,899 kg
Cathead SM218 	8'2" x 5'2" x 22'0" 2.4m x 1.5m x 3.1m	11,025 lbs 5,000 kg
Counter - weight deck BM215 	37'10" x 7'2" x 8'5" 11.5m x 2.1m x 2.5m	24,691 lbs 11,199 kg
Counter Jib Complete 	40'3" x 7'2" x 12'1" 12.2m x 2.1m x 2.5m	11,360 lbs 5,152 kg
Hook Block TALC09+GA09 	6'3" x 5'4" x 4'6" 1.9m x 1.3m x 1.3m	1,190 lbs 539 kg
Anchors PD3-2 	1'6" x 1'6" x 6'10" .4m x .4m x 2.1m	2,440 lbs 1,106 kg
Jib Section ①AM298 	34'1" x 4'7" x 12'1" 10.3m x 1.4m x 3.6m	12,120 lbs 5,524 kg
Jib Section ⑤AM282A 	33'10" x 4'7" x 8'1" 10.3m x 1.4m x 2.4m	10,690 lbs 4,848 kg
Jib Section ⑥AM272A 	33'9" x 4'7" x 7'10" 10.3m x 1.4m x 2.4m	9,480 lbs 4,300 kg
Jib Section ⑦AM262A 	33'8" x 4'7" x 7'10" 10.2m x 1.4m x 2.4m	7,930 lbs 3,596 kg

DESCRIPTION	DIMENSION L x W x H	WEIGHT
Jib Section ⑧AM250A 	33'7" x 4'7" x 7'9" 10.2m x 1.4m x 2.74m	5,090 lbs 2,308 kg
Jib Section ⑨AM240 	33'7" x 4'7" x 5'9" 10.2m x 1.4m x 1.7m	3,770 lbs 1,710 kg
Jib Section ⑩AM230 	33'6" x 4'7" x 5'7" 10.2m x 1.4m x 1.7m	2,890 lbs 1,310 kg
Jib Section ⑫AM220 	33'1" x 4'7" x 5'7" 10.0m x 1.4m x 1.7m	2,050 lbs 929 kg
Jib Tip Section With Jib End ⑬AM244 	13'8" x 4'7" x 5'8" 4.1m x 1.4m x 1.7m	870 lbs 394 kg
Counter weights A B C 		A- 8,818 lb B- 4,409 lb C- 2,204 lb
262.4 ft. Jib Assembly (80M) ①⑤⑥⑦⑧⑨⑩⑫	262' x 4'7" x 12'1" 80m x 1.4m x 3.6m	54,280 lbs 24,620 kg
242 .7ft. Jib Assembly (73.7M) ①⑤⑥⑦⑧⑨⑩⑬	242' x 4'7" x 12'1" 73.7m x 1.4m x 3.6m	52,840 lbs 23,967 kg
229.6 ft. Jib Assembly (69.7M) ①⑤⑥⑦⑧⑨⑩	229' x 4'7" x 12'1" 69.7m x 1.4m x 3.6m	51,970 lbs 23,573 kg
209.9 ft. Jib Assembly (63.9M) ①⑤⑥⑦⑧⑨⑩⑬	209' x 4'7" x 12'1" 63.9m x 1.4m x 3.6m	49,950 lbs 22,656 kg
196.8 ft. Jib Assembly (59.9M) ①⑤⑥⑦⑧⑨	196' x 4'7" x 12'1" 59.9m x 1.4m x 3.6m	49,080 lbs 22,622 kg
177.1 ft. Jib Assembly (53.9M) ①⑤⑥⑦⑧⑩⑬	177' x 4'7" x 12'1" 53.9m x 1.4m x 3.6m	46,180 lbs 20,946 kg
164.0 ft. Jib Assembly (49.9M) ①⑤⑥⑦⑧	164' x 4'7" x 12'1" 49.9m x 1.4m x 3.6m	45,310 lbs 20,552 kg
131.2 ft. Jib Assembly (39.9M) ①⑤⑥⑦	131' x 4'7" x 12'1" 39.9m x 1.4m x 3.6m	40,220 lbs 18,243 kg

NOTE: Weights and dimensions are approximate. Weigh components before lifting.

- Jib assembly doesn't include trolley, pulley support and load block.
- Counter-Jib include hoist winch, handrails, platforms and tie bars
- Turntable complete does not include platform and operator cabin
- Cathead includes cabin, rails, platform and ladder
- Telescoping cage does not include platform and ladder

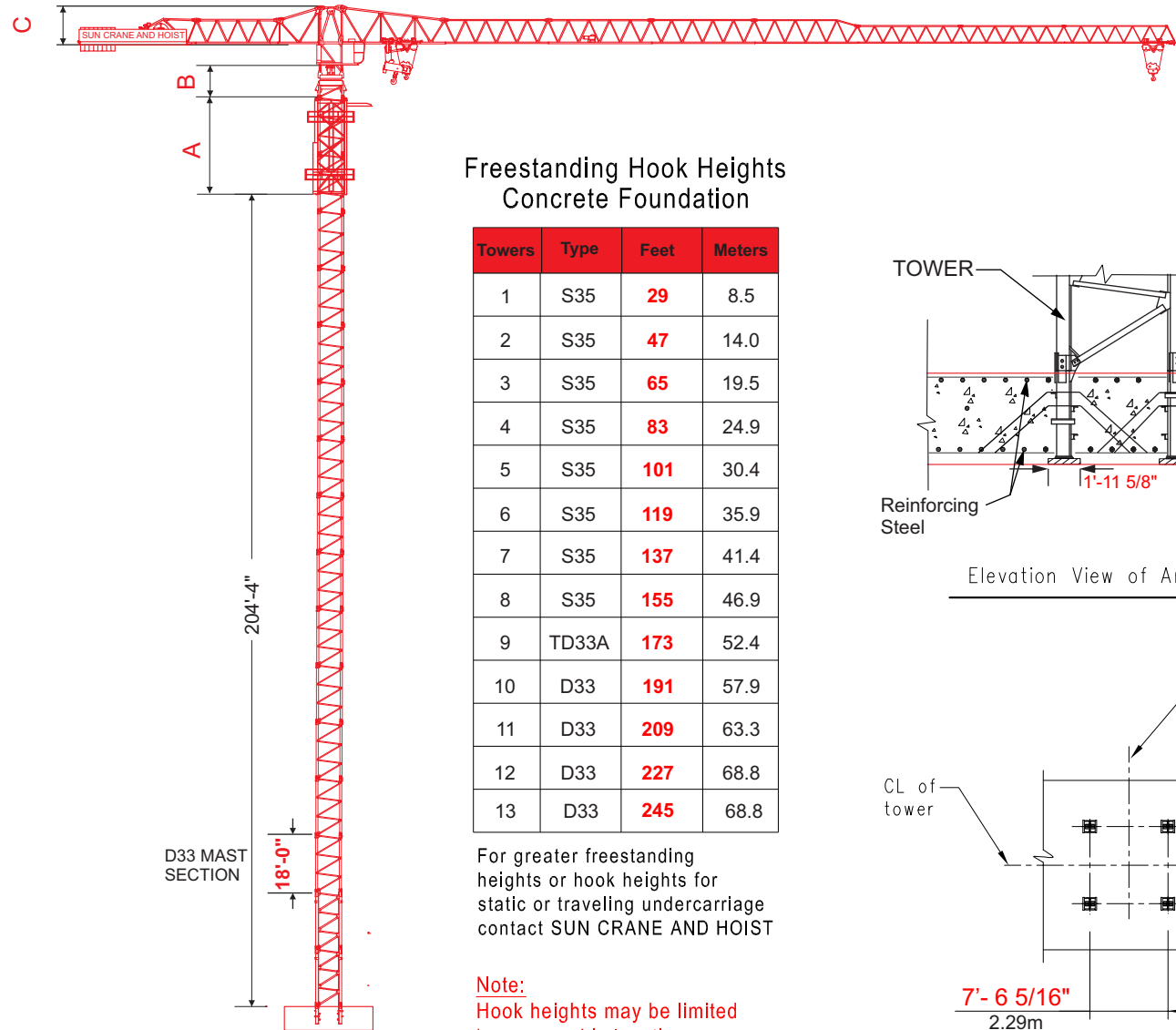
Radius and Capacities

Radius and capacity (feet and pounds)	2-Part - line ft										
Hook Radius	111	131	144	164	177	196	210	229	242	262	
262FT	19,840 lbs - 98'- 0"	17,580	14,680	13,190	11,430	10,470	9,280	8,600	7,740	7,260	6,610
242FT	19,840 lbs - 108'- 0"	19,560	16,350	14,710	12,760	11,700	10,380	9,640	8,690	8,150	
229FT	19,840 lbs - 134'- 0"	19,840	19,840	18,440	16,030	14,720	13,100	12,190	11,020		
210FT	19,840 lbs - 134'- 0"	19,840	19,840	18,670	16,220	14,910	13,270	12,340			
196FT	19,840 lbs - 141'- 0"	19,840	19,840	19,510	16,970	15,590	13,880				
177FT	19,840 lbs - 137'- 0"	19,840	19,840	19,300	16,780	15,430					
164FT	19,840 lbs - 147'- 0"	19,840	19,840	19,840	17,850						
131FT	19,840 lbs - 131'- 0"	19,840	19,840								

Radius and capacity (feet and pounds)	4-Part - line ft										
Hook Radius	101	134	142	161	174	194	207	227	240	262	
262FT	39,670 lbs - 52'- 0"	19,180	13,635	12,478	10,769	9,722	8,411	7,407	6,746	6,217	5,512
242FT	39,670 lbs - 59'- 0"	21,208	15,157	13,889	12,026	10,880	9,458	8,664	7,639	7,055	
229FT	39,670 lbs - 68'- 0"	26,411	19,059	17,516	15,256	13,856	12,125	9,987	9,987		
210FT	39,670 lbs - 69'- 0"	26,576	19,191	17,637	15,355	13,955	12,213	11,243			
196FT	39,670 lbs - 72'- 0"	27,613	19,985	18,386	16,027	14,583	12,787				
177FT	39,670 lbs - 72'- 0"	27,172	19,654	18,078	15,752	14,330					
164FT	39,670 lbs - 75'- 0"	28,781	20,856	19,202	16,755						
131FT	39,670 lbs - 78'- 0"	30,401									

Radius and capacity (meter and tons)	2-Part - line m										
Hook Radius	34	40	44	50	54	60	64	70	74	80	
80m	9t - 30.0m	7.9	6.6	5.3	4.7	4.2	4.2	3.9	3.5	3.2	3.0
74m	9t - 32.9m	8.8	7.4	6.8	5.9	5.3	4.7	4.3	3.9	3.7	
70m	9t - 40.9m	9.0	9.0	8.3	7.2	6.6	5.9	5.5	5.0		
64m	9t - 40.9m	9.0	9.0	8.4	7.3	6.7	6.0	5.6			
60m	9t - 42.9m	9.0	9.0	8.8	7.7	7.0	6.3				
54m	9t - 42.0m	9.0	9.0	8.7	7.6	7.0					
50m	9t - 44.9m	9.0	9.0	9.0	8.1						
40m	9t - 40.0m	9.0	9.0								

Radius and capacity (meter and tons)	4-Part - line m										
Hook Radius	34	40	44	50	54	60	64	70	74	80	
80m	18t - 16m	7.7	6.5	5.8	4.8	4.4	3.8	3.4	3.5	2.8	2.5
74m	18t - 18m	8.6	7.2	6.4	5.4	4.9	4.2	3.9	3.4	3.2	
70m	18t - 21m	9.0	9.0	8.1	6.9	6.2	5.4	5.0	4.5		
64m	18t - 21m	10.8	9.1	8.2	6.0	6.3	5.5	5.0			
60m	18t - 22m	11.2	9.5	8.5	7.2	6.6	5.8				
54m	18t - 22m	11.8	9.3	8.4	7.1	6.4					
50m	18t - 23m	11.8	9.3	8.9	7.5						
40m	18t - 23.9m	12.4	10.4								



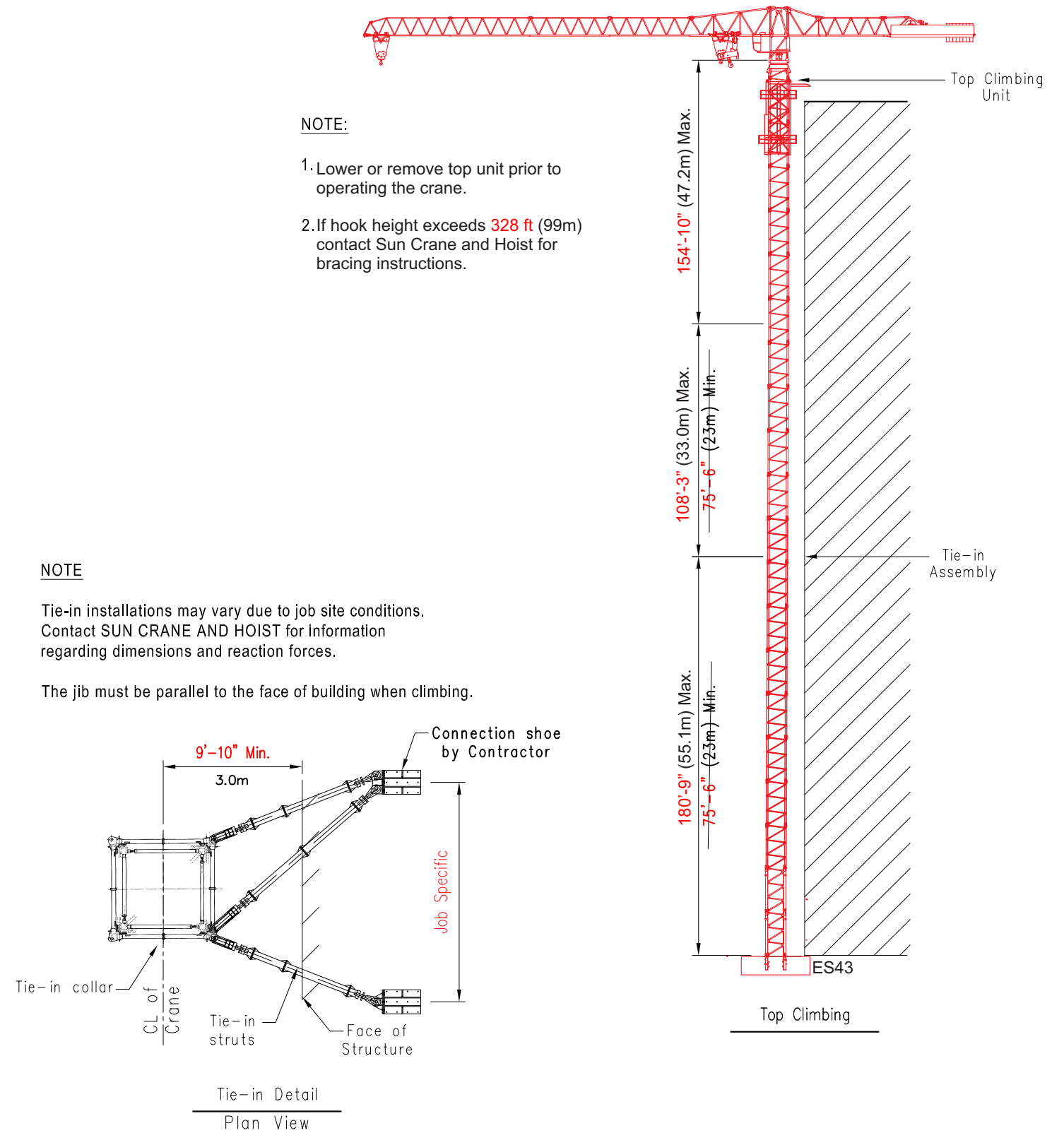
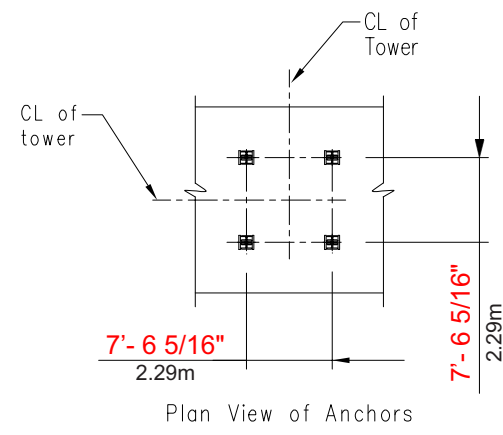
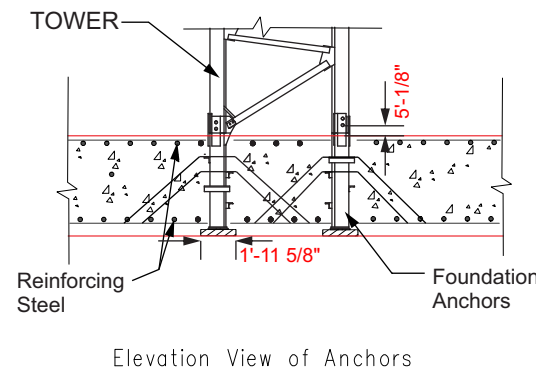
Freestanding Hook Heights
Concrete Foundation

Towers	Type	Feet	Meters
1	S35	29	8.5
2	S35	47	14.0
3	S35	65	19.5
4	S35	83	24.9
5	S35	101	30.4
6	S35	119	35.9
7	S35	137	41.4
8	S35	155	46.9
9	TD33A	173	52.4
10	D33	191	57.9
11	D33	209	63.3
12	D33	227	68.8
13	D33	245	68.8

For greater freestanding heights or hook heights for static or traveling undercarriage contact SUN CRANE AND HOIST

Note:
Hook heights may be limited by geographic location.

- A = Height of telescoping unit 30'-8" (9.3m)
- B = Height of complete slewing unit 10'-3" (3.1m)
- C = Height of jib section 12'-2" (3.7m)



NOTE:

1. Lower or remove top unit prior to operating the crane.
2. If hook height exceeds 328 ft (99m) contact Sun Crane and Hoist for bracing instructions.

NOTE

Tie-in installations may vary due to job site conditions. Contact SUN CRANE AND HOIST for information regarding dimensions and reaction forces.

The jib must be parallel to the face of building when climbing.